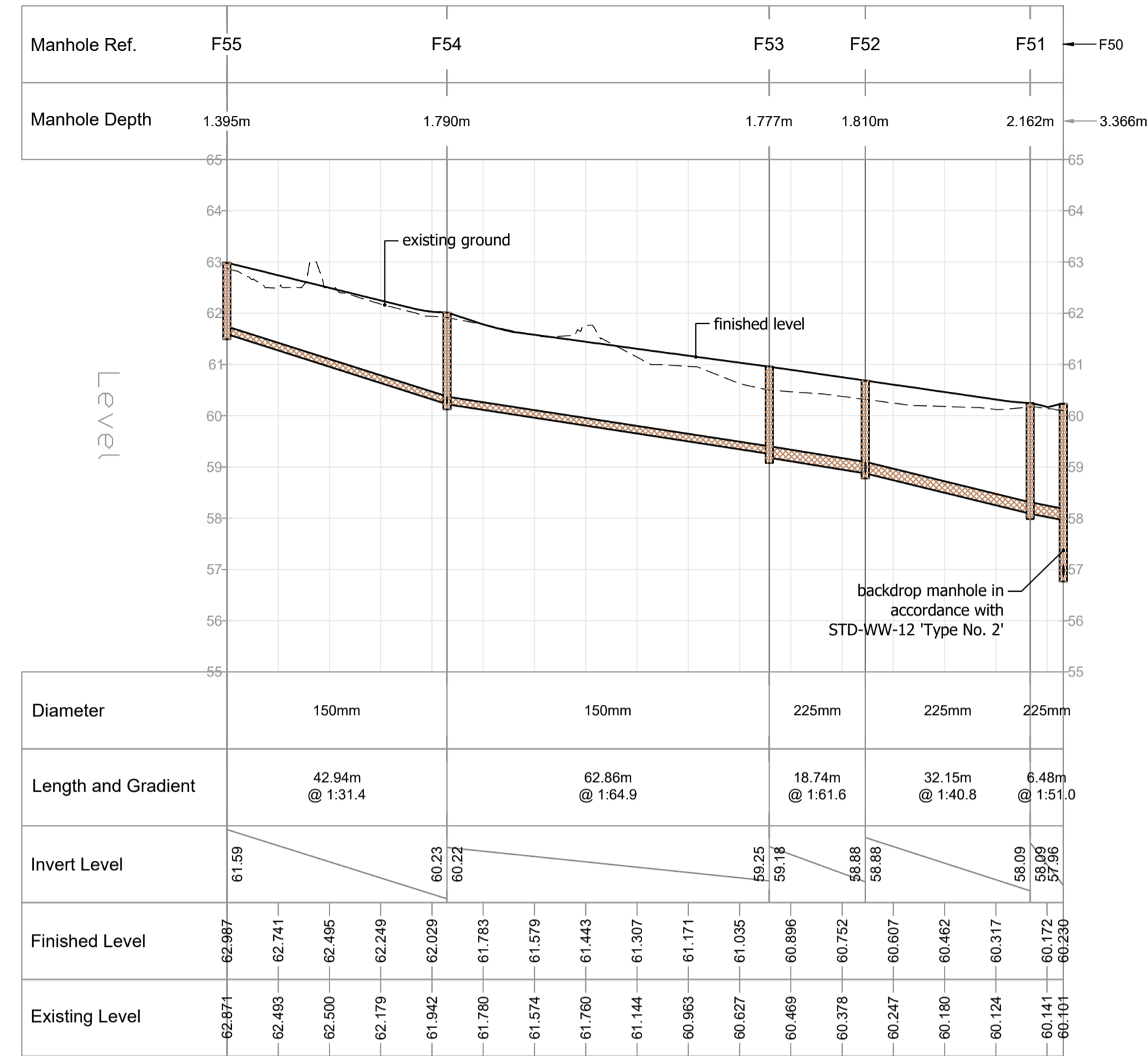
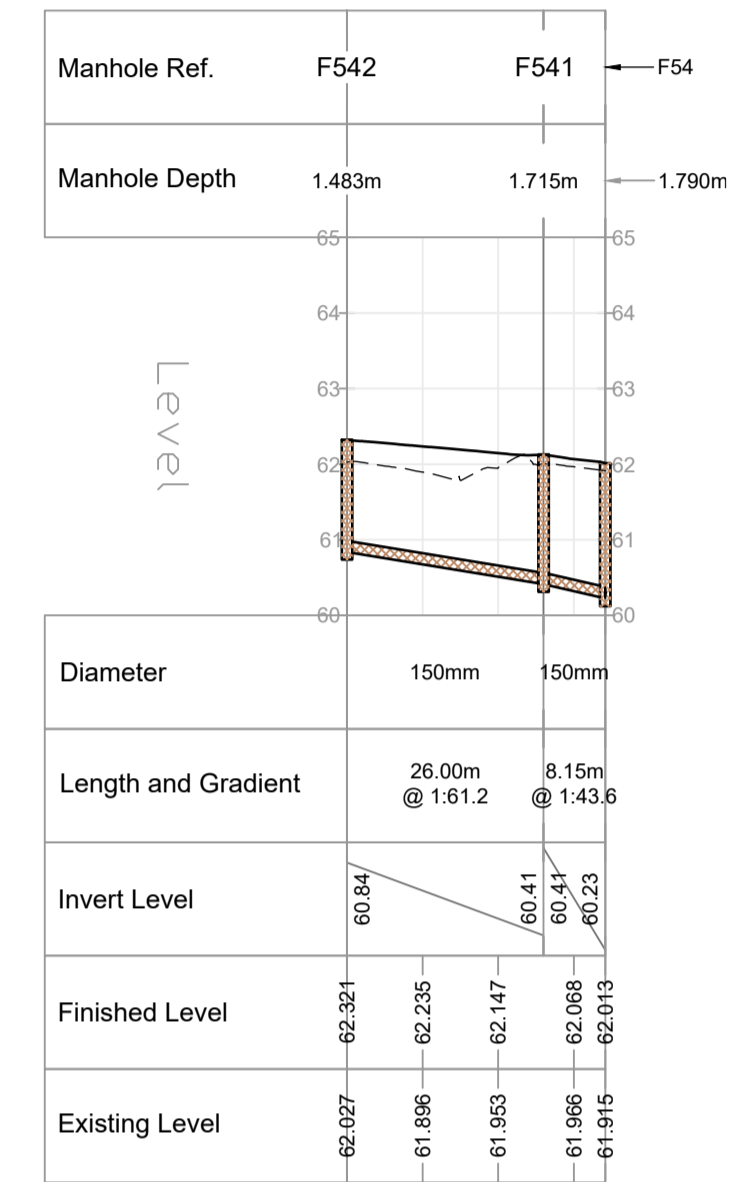


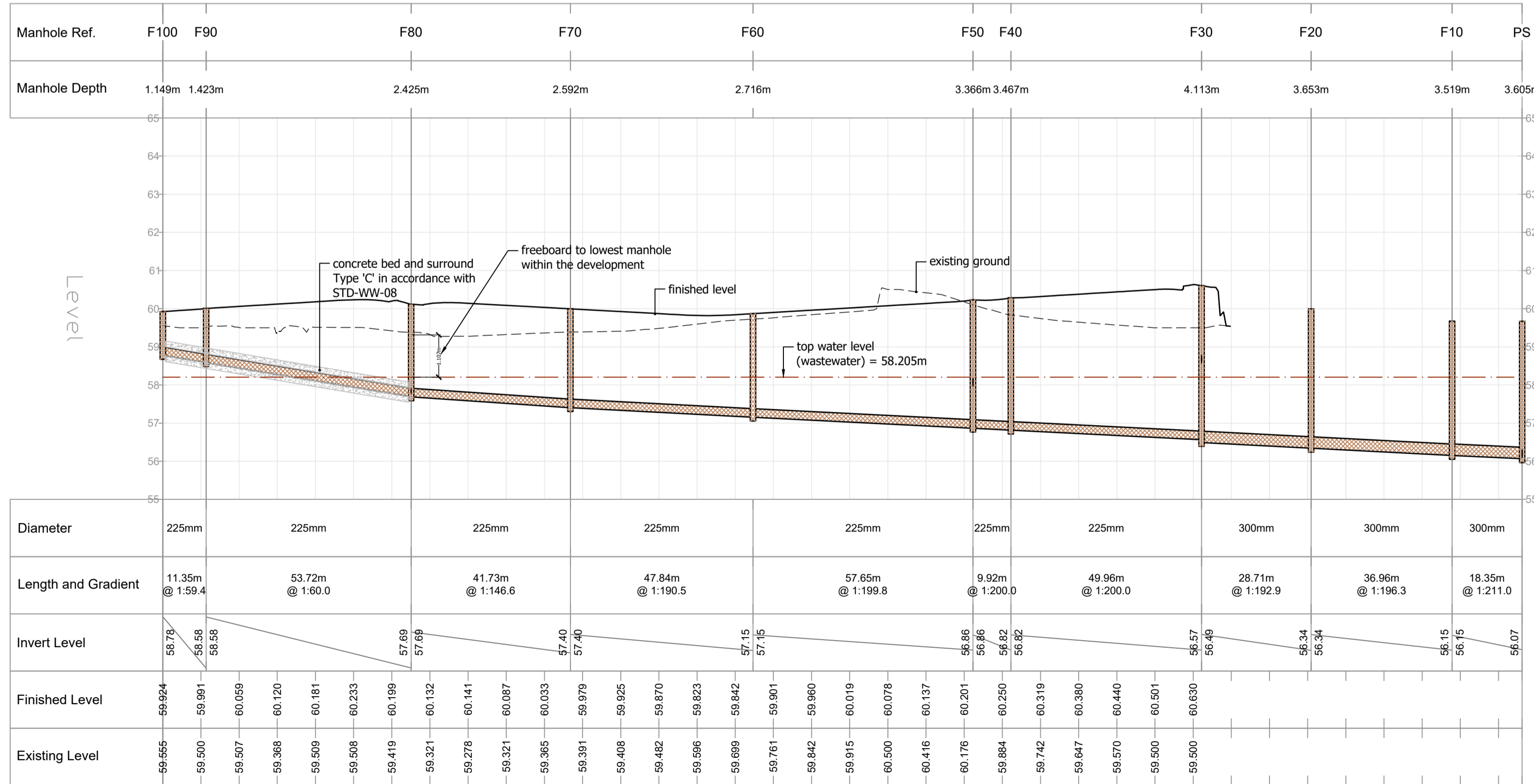
F81 TO F80



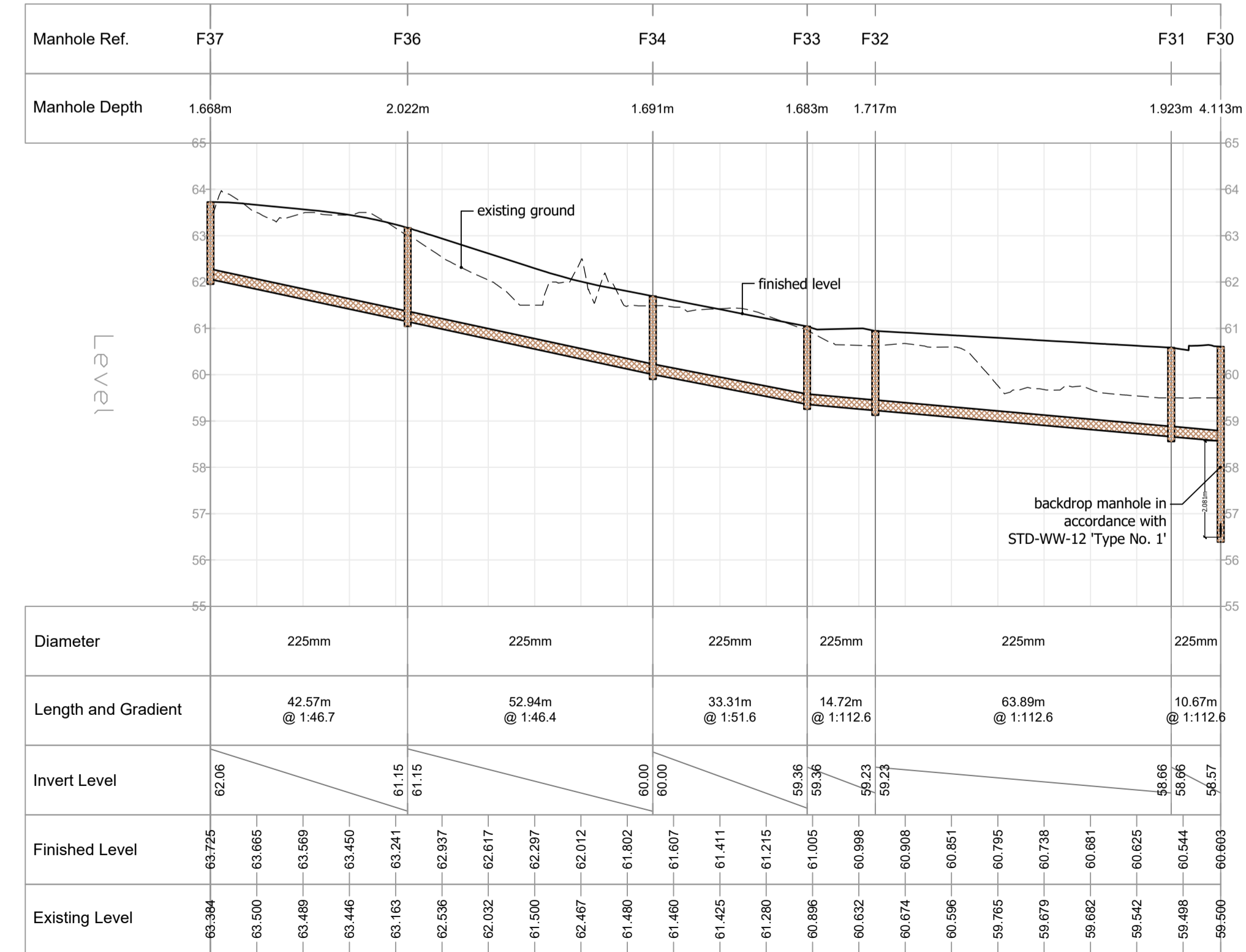
F55 TO F50



F542 TO F54



F100 TO PUMP STATION



F37 TO F30

OS mapping reproduced under licence.
This drawing is not to be reproduced without the written permission of Kilgallen & Partners. Copyright.

PL4	05/04/23	SC	Issued for LRD application
PL3	26/01/23	SC	Issued to OCC Water Services for comment.
PL2	21/12/22	SC	Issued for Irish Water design approval F1
PL1	10/10/22	SC	Issued for pre-planning consultation
PR1	03/05/22	SC	Issued for discussion
REV	DATE	BY	DETAILS

STATUS
FOR PLANNING APPLICATION PURPOSES ONLY. NOT TO BE USED FOR ANY OTHER PURPOSE.

CLIENT
JOHN FLANAGAN DEVELOPMENTS

PROJECT
PUTTAGHAN LANDS, TULLAMORE

TITLE
WASTEWATER SEWERS - LONGITUDINAL SECTIONS

KILGALLEN & PARTNERS
CONSULTING ENGINEERS
E-mail: info@kilgallen.ie, Web: www.kilgallen.ie

UNIT 3
DANVILLE BUSINESS PARK
KILKENNY
+353 56 777 01090

DRN:	SC	DRAWING NO.:	22009-C-DR-204	REV.:	PL4
CHKD:	PB	SCALE:	1:1000H, 1:100V @ A1	SIZE:	A1
		DATE:	03/05/2022		